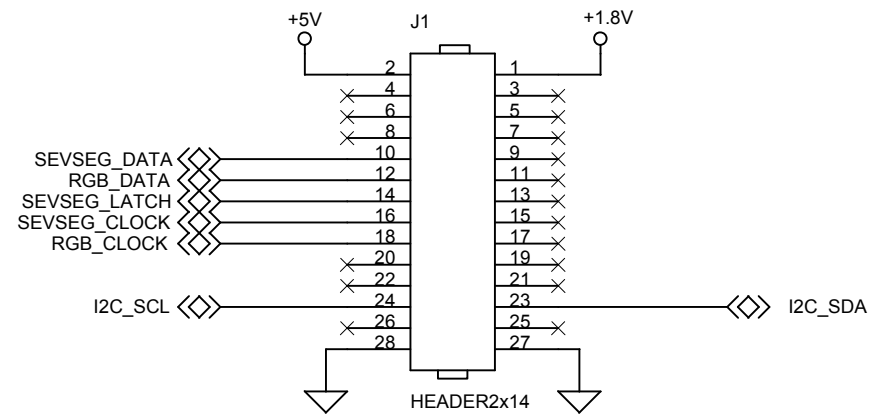
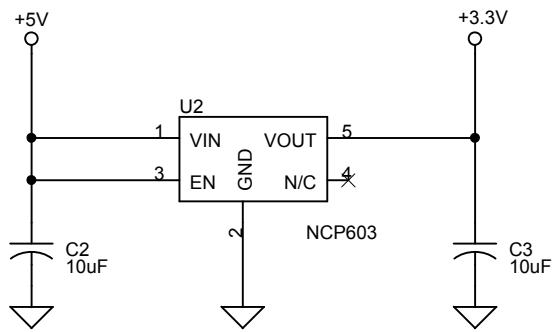


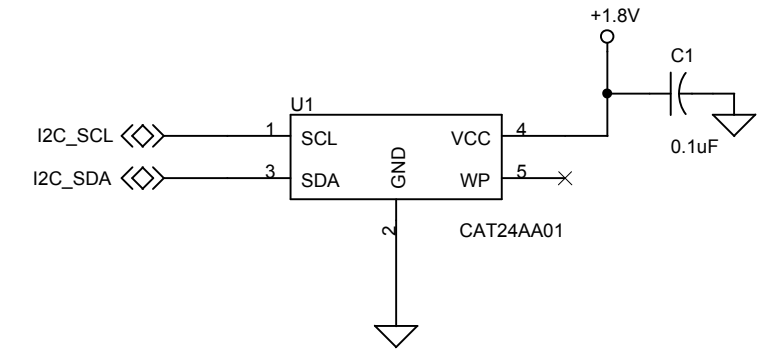
EXPANSION CONNECTOR



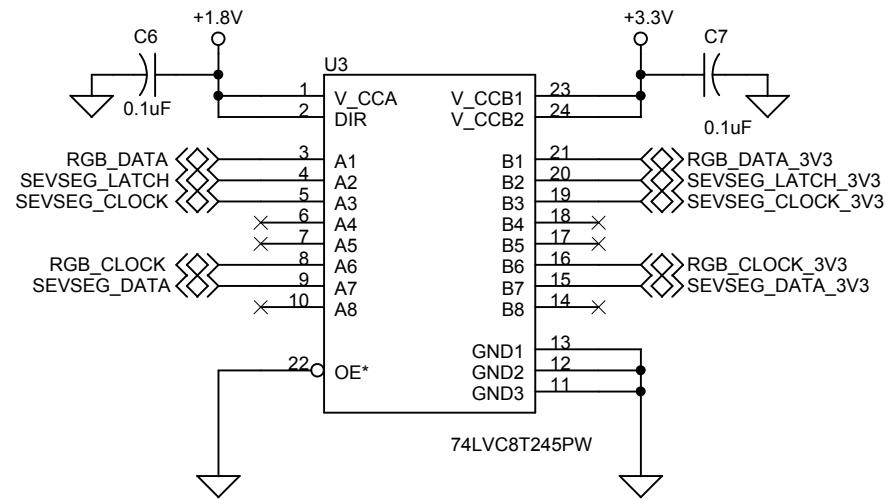
LDO +3.3V@300mA



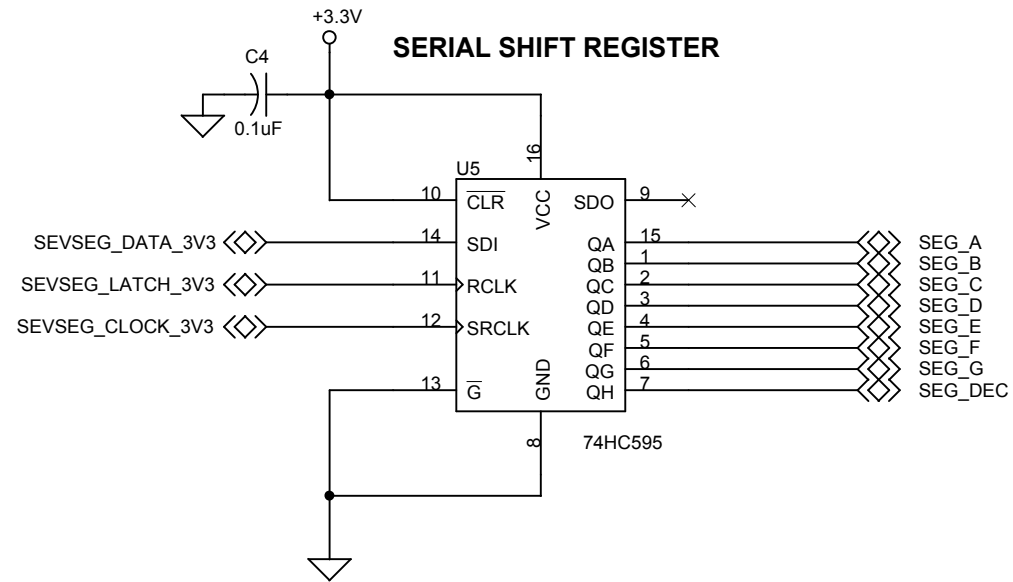
CONFIGURATION EEPROM



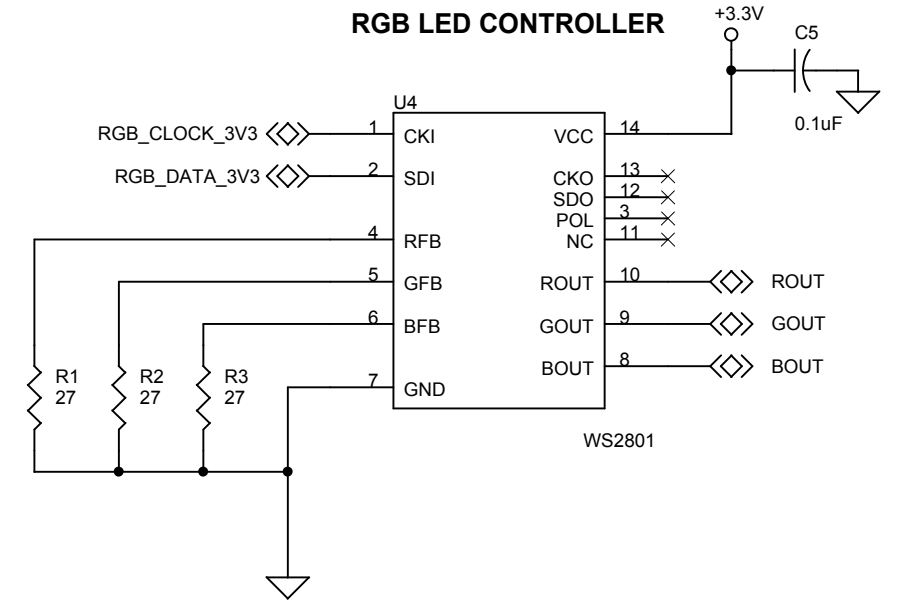
LEVEL SHIFTER



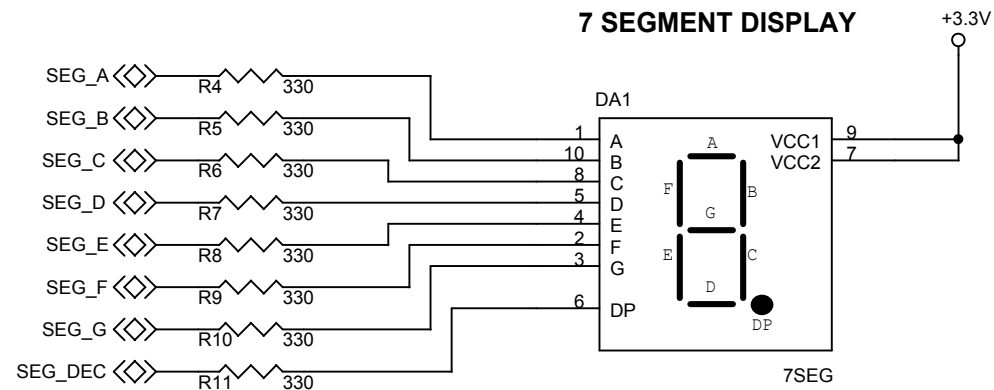
SERIAL SHIFT REGISTER



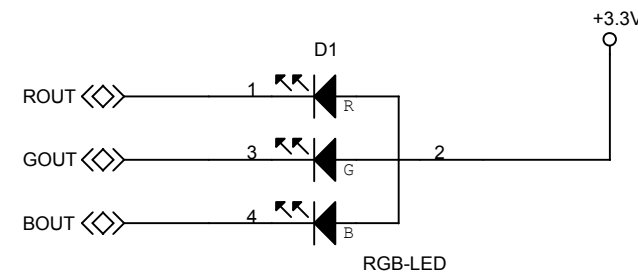
RGB LED CONTROLLER



7 SEGMENT DISPLAY



COMMON ANODE RGB LED



www.TinCanTools.com

Title		
BEACON BOARD		
Size	Document Number	Rev
B	BEACON_REV-B	B
Date:	Tuesday, August 16, 2011	Sheet 1 of 1