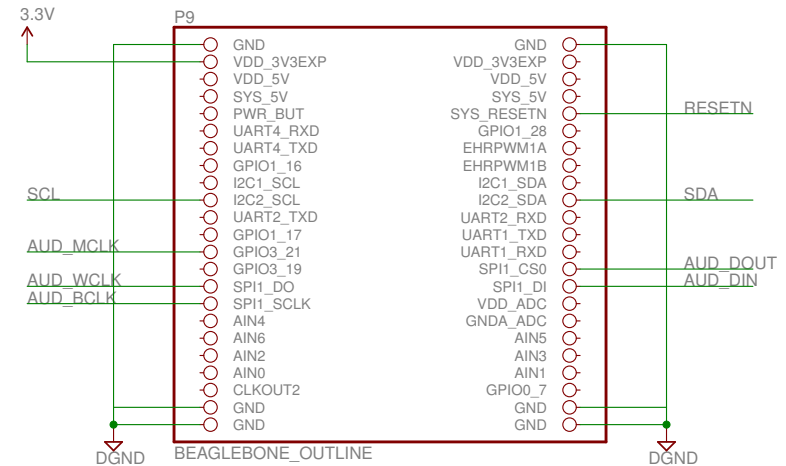
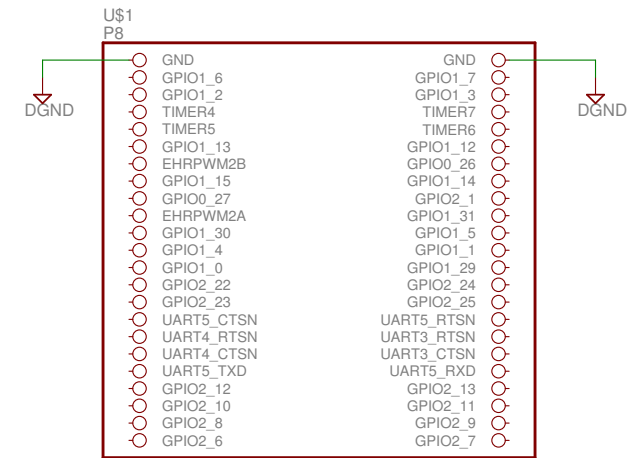
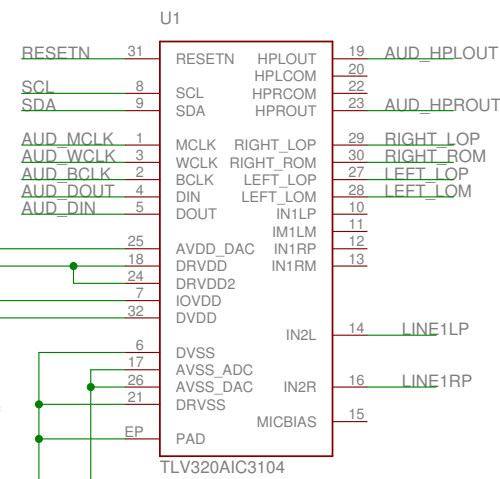
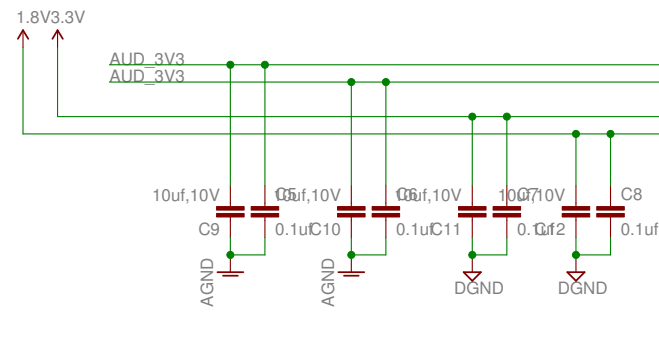
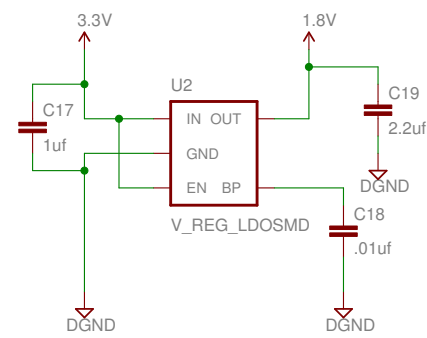
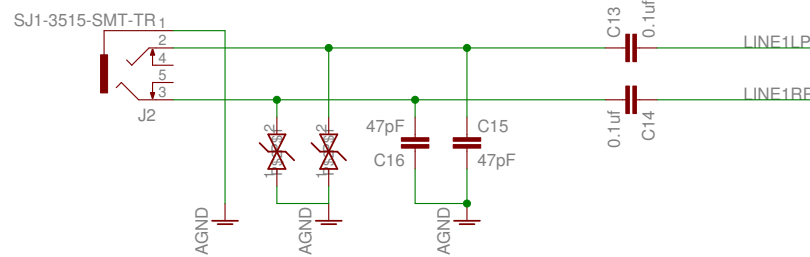
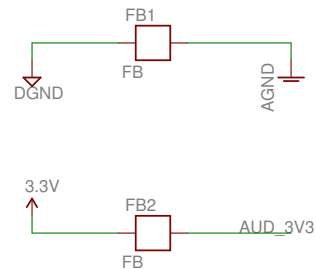
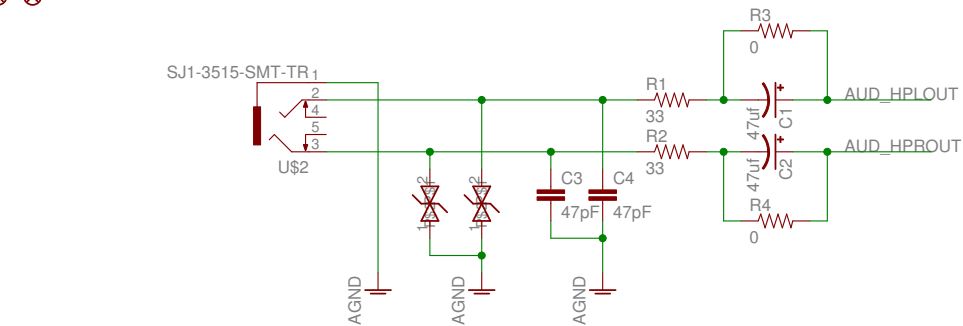


⊗ ⊗ ⊗



TITLE: Audio_Cape_B1	
Document Number:	REV:
Date: 12/4/13 2:48 PM	Sheet: 1/1