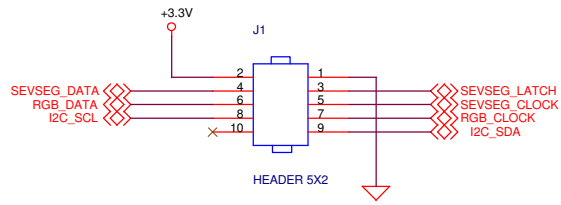
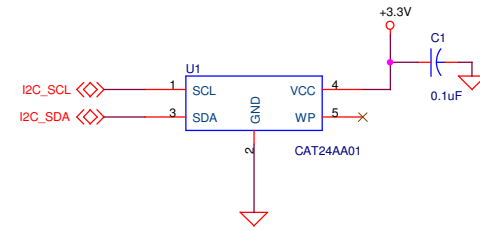


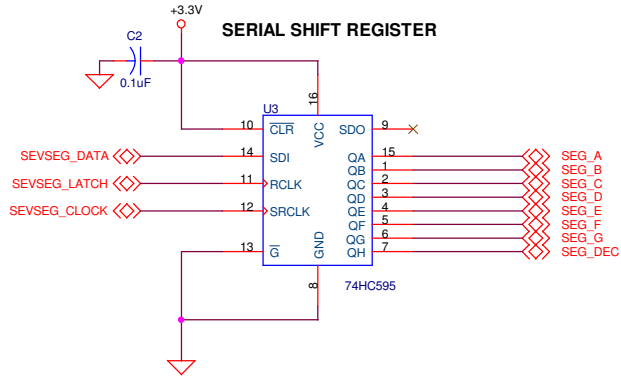
EXPANSION CONNECTOR



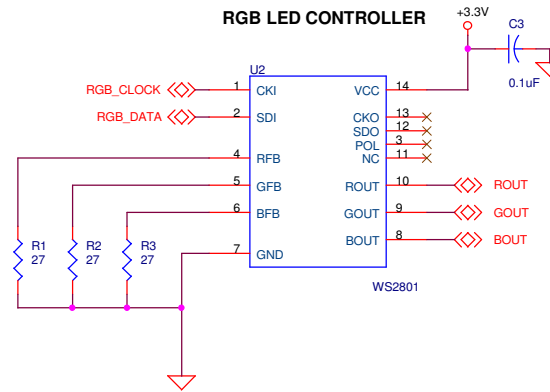
CONFIGURATION EEPROM



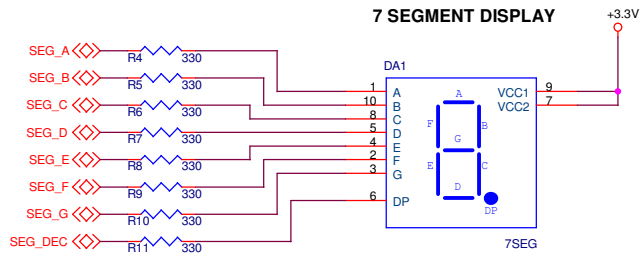
SERIAL SHIFT REGISTER



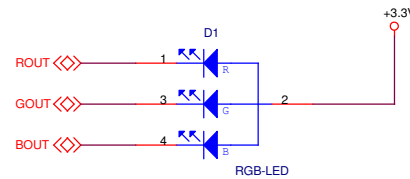
RGB LED CONTROLLER



7 SEGMENT DISPLAY



COMMON ANODE RGB LED



Title	BEACON LURE	
Size	Document Number	Rev
B	BEACON_LURE_REV-A	A
Date:	Tuesday, August 16, 2011	Sheet 1 of 1