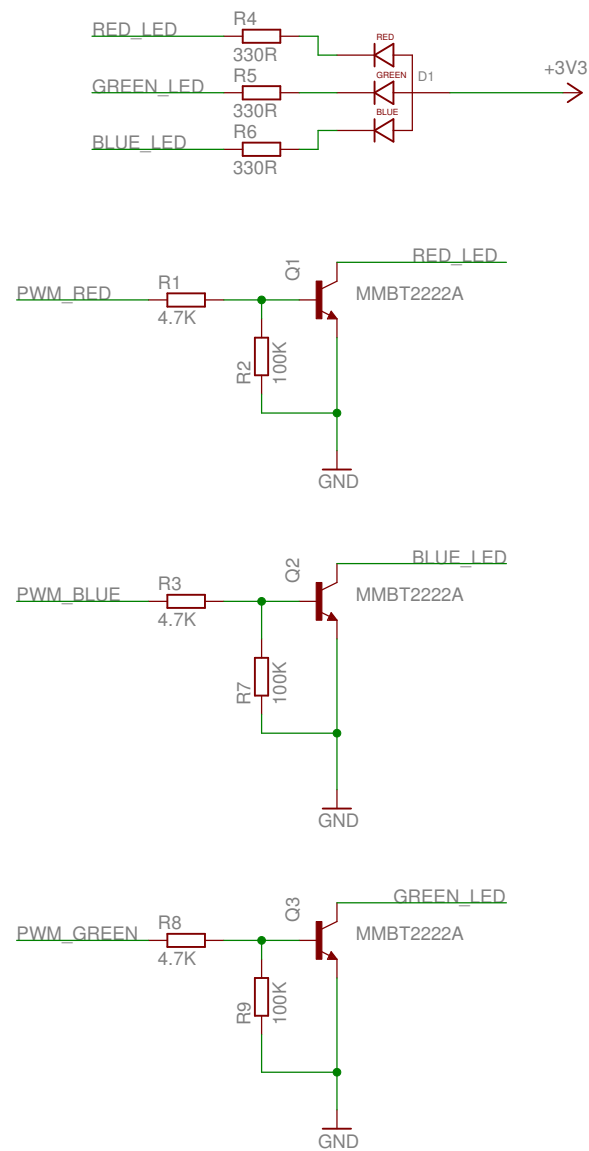
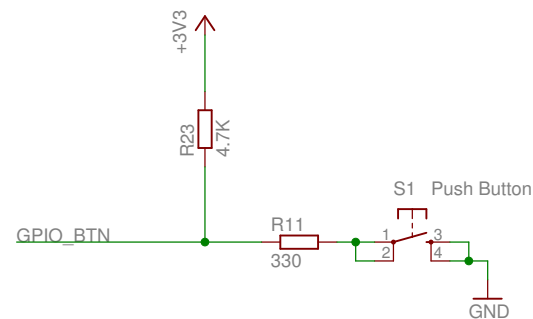


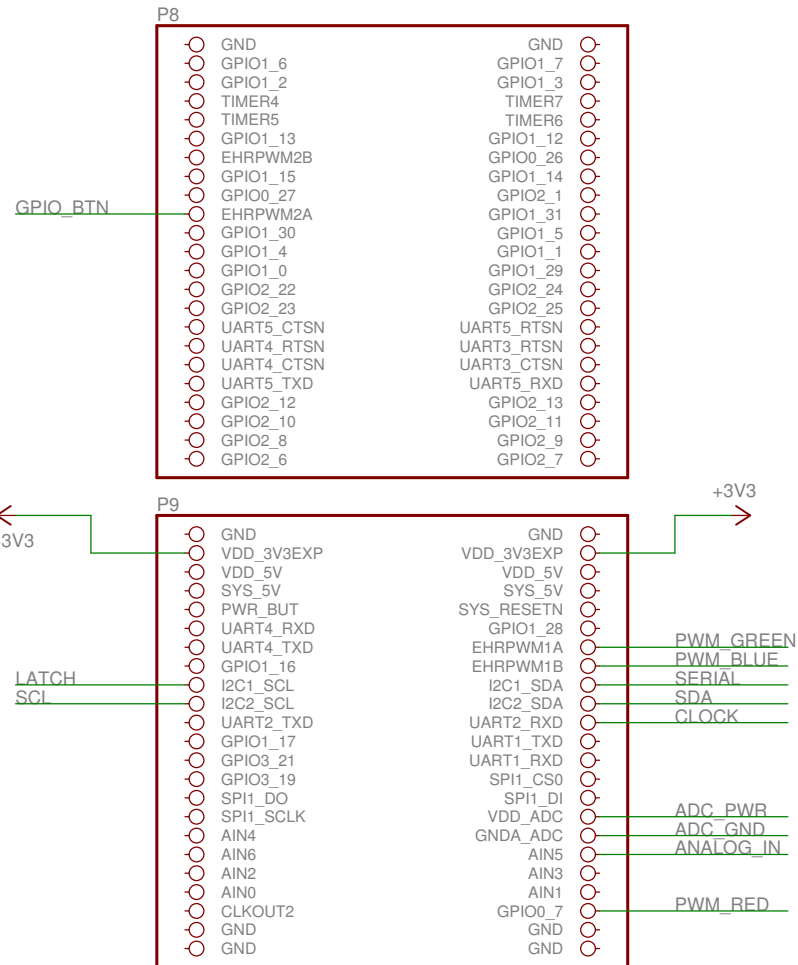
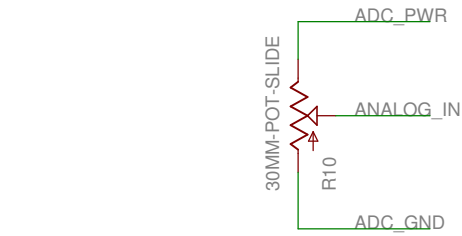
PWM RGB LED



GPIO Button



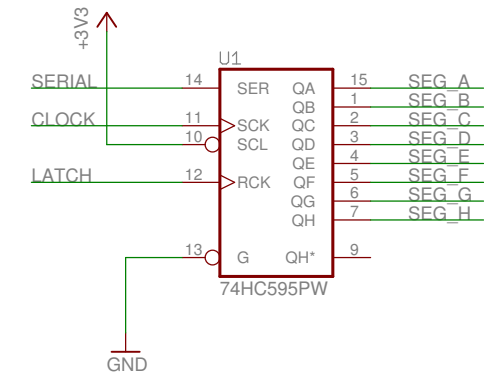
Slide Resistor/Analog In



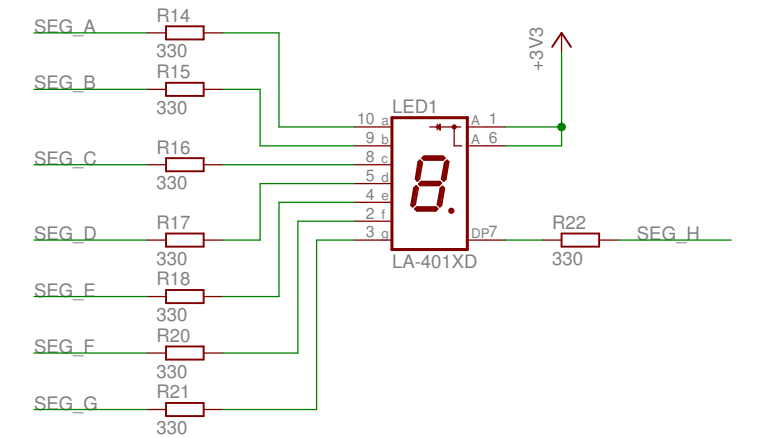
UART Connector



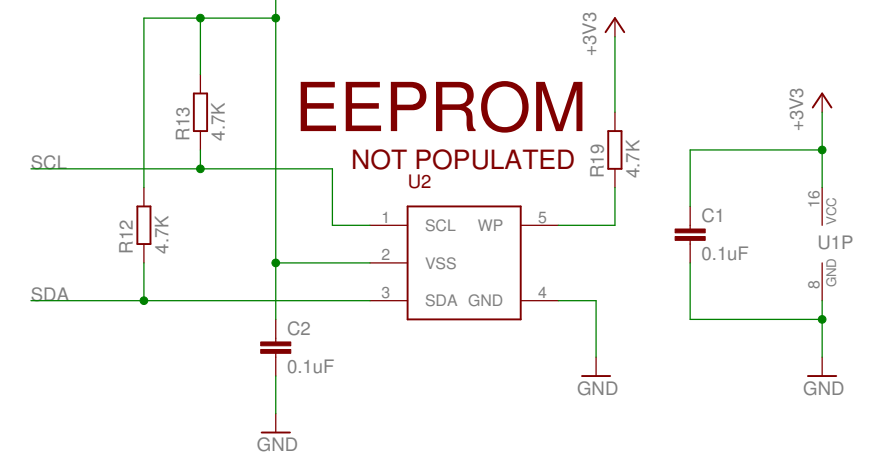
Shift Register



LED Display



EEPROM



CIRCUITCO.COM
BEAGLEBOARDTOYS.COM

TITLE: bacon_cape_rev_6

Document Number:

REV:

Date: 6/15/13 2:18 PM

Sheet: 1/1