



Chunghwa Picture Tubes, Ltd. Product Specification

To : Studio Technology Co.,Ltd
Date : 2009/08/17

TFT LCD
CLAA101NB01

ACCEPTED BY :

--

APPROVED BY	CHECKED BY	PREPARED BY
Ronald Huang	Roger Liu	Carol Shen

Prepared by :
Product Planning Management Division
Small & Medium TFT Product Business Unit
CHUNGHWA PICTURE TUBES, LTD.

1127 Hopin Rd., Padeh, Taoyuan, Taiwan 334, R.O.C.
TEL: +886-3-3675151 FAX: +886-3-377-3003

Doc.No:	CLAA101NB01-HAOSHENG-T1-20090817	Issue Date:	2009/08/17
---------	----------------------------------	-------------	------------

REVISION STATUS

Revision Notice	Description	Page	Rev. Date
Ver. 0.0	First revision (Tentative)		2009.02.13

Studio Technology Co., Ltd

CONTENTS

1. OVERVIEW	4
2. ABSOLUTE MAXIMUM RATINGS	5
3. ELECTRICAL CHARACTERISTICS	6
3.1 TFT LCD Power Voltage	6
3.2 TFT-LCD Current Consumption.....	7
3.3 Power · Signal sequence.....	7
3.4 LED ON/OFF Sequence.....	8
3.5 Backlight.....	8
4. INTERFACE CONNECTION	9
4.1 CN1	9
5. INPUT SIGNAL (DE MODE ONLY)	11
5.1 Timing Specification:.....	11
5.2 Timing sequence (Timing chart)	11
5.3 Color data assignment.....	13
6. BLOCK DIAGRAM	14
7. MECHANICAL DIMENSION	15
7.1 Front Side	15
7.2 Rear Side	15
8. OPTICAL CHARACTERISTICS	16
9. RELIABILITY TEST	18
9.1. Temperature and humidity.....	18
9.2. Shock and Vibration:.....	18
9.3. ESD Test	18
9.4 Judgment Standard.....	18

1. OVERVIEW

CLAA101NB01 is 25.5cm(10.1”) color TFT-LCD (Thin Film Transistor Liquid Crystal Display) module composed of LCD panel, driver ICs, control circuit and LED backlight. By applying 1024×600 images are displayed on the 10.1” diagonal screen. Display 262K colors by 6 Bit R.G.B signal input. Use 3.3 voltage to drive the power of LCD system.

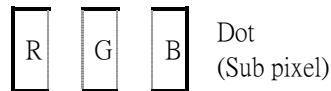
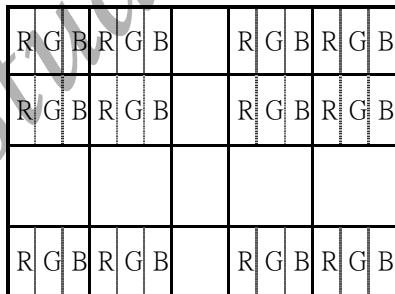
General specification are summarized in the following table:

ITEM	SPECIFICATION	NOTE
Display Area (mm)	222.72(H) x 125.28(V) (10.1-inch diagonal)	
Number of Pixels	1024(H) × 3(RGB) × 600(V)	【Note1】
Pixel Pitch (mm)	0.2175 (H) × 0.2088 (V)	
Color Pixel Arrangement	RGB vertical stripe	【Note1】
Display Mode	Normally white, TN	
Number of Colors	262,144	
Optimum Viewing Angle	6 o'clock	
Brightness (cd/m ²)	200nit(typ.)	
NTSC ratio	45%	
Response Time (Tr+Tf)	25ms (typ.)	
Viewing Angle(BL on,CR≥10)	L/R:45/45 degree	
	U/D:15/30 degree	
Power Consumption	2.1(w) (typ)	
Electrical Interface(data)	LVDS	
Module Size (mm)	235.5(W)x143.5(H)x5.2(D)(max.)	
Module Weight (g)	190(max.)	
Backlight Unit	LED	
Surface Treatment	Anti-Glare type Hardness:3H	

【Note】

【Note1】 Pixel arrangement

(1,1)



(1024,600)

2. ABSOLUTE MAXIMUM RATINGS

The following are maximum values which, if exceeded, may cause faulty operation or damage to the unit.

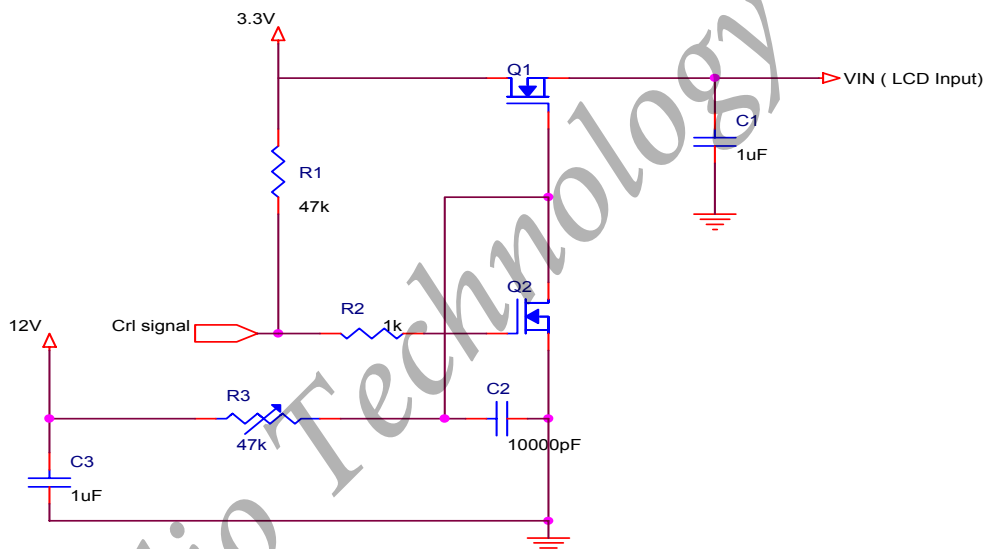
ITEM	SYMBOL	MIN.	MAX.	UNIT	NOTE
Power Supply Voltage	V _{cc}	-0.3	4.0	V	
LED Supply Voltage	V _{LED}	-0.3	25.0	V	
Static Electricity	V _{ESDc}	-200	200	V	【 Note2】
	V _{ESDm}	-15K	15K	V	
ICC Rush Current	IRUSH	-	1	A	【 Note 3】
Operation Temperature	T _{op}	0	50	°C	【 Note 1】
Storage Temperature	T _{stg}	-20	60	°C	【 Note 1】

【 Note】

【 Note1】 If users use the product out off the environment operation range (temperature and humidity) ,it will concern for visual quality.

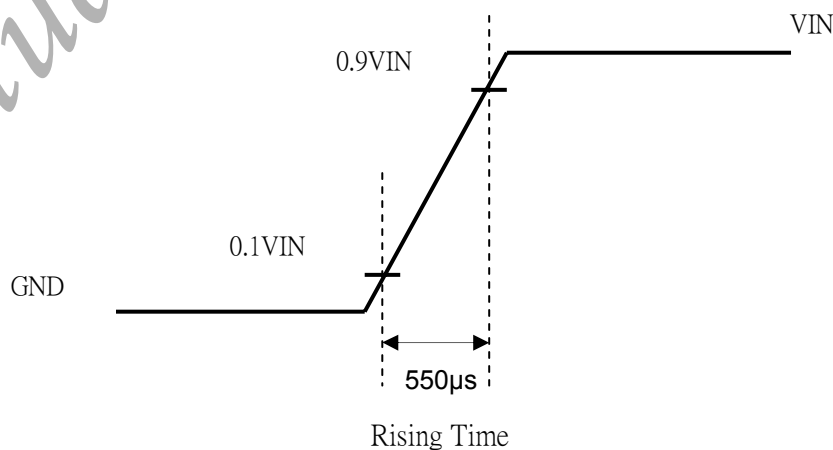
【 Note2】 Test Condition: IEC 61000-4-2 ,
 V_{ESDc} : Contact discharge to input connector
 V_{ESDm} : Discontact discharge to module

【 Note3】 The input pulse-current measurement system as below :



Control signal: High(+3.3V)→Low(GND)

Supply Voltage of rising time should be from R3 and C2 tune to 550 us.



3. ELECTRICAL CHARACTERISTICS

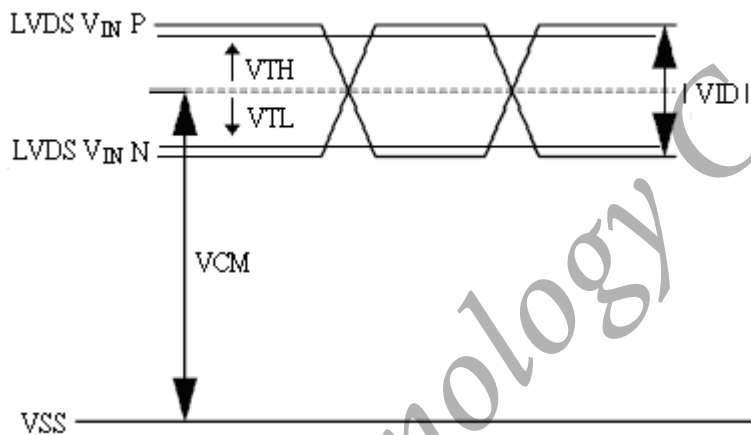
3.1 TFT LCD Power Voltage

$T_a=25^{\circ}\text{C}$

ITEM	SYMBOL	MIN.	TYP.	MAX.	UNIT	NOTE
Power Supply Voltage For LCD	V_{CC}	3.0	3.3	3.6	V	【Note 1】
Power Supply Voltage For LED	V_{LED}	5	12	19	V	
Logic Input Voltage (LVDS:IN+,IN-)	Input Voltage	V_{IN}	0	-	V_{CC}	V
	Common Mode Voltage	V_{CM}	1.08	1.2	1.32	V
	Differential Input Voltage	$ V_{ID} $	250	350	450	mV
	Threshold Voltage(high)	V_{TH}	-	-	100	mV
	Threshold Voltage(low)	V_{TL}	-100	-	-	mV
ADJ Input Voltage	Input Voltage(high)	V_{IH}		3.3	V	
	Input Voltage(low)	V_{IL}	GND	0.3	V	

【Note】

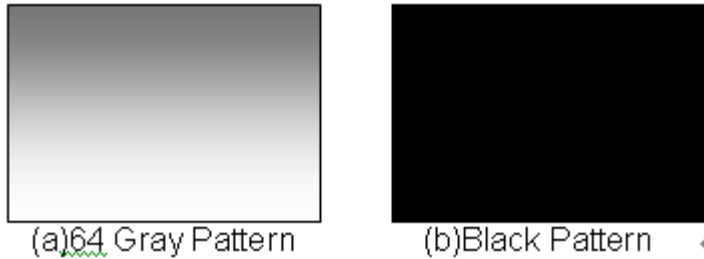
【Note1】 LVDS signal



3.2 TFT-LCD Current Consumption

ITEM	SYMBOL	MIN.	TYP.	MAX.	UNIT	NOTE
LCD Power Current	I_{CC}	--	250	300	mA	【Note1】
LED Power Current	I_{LED}	--	160	175	mA	【Note2】

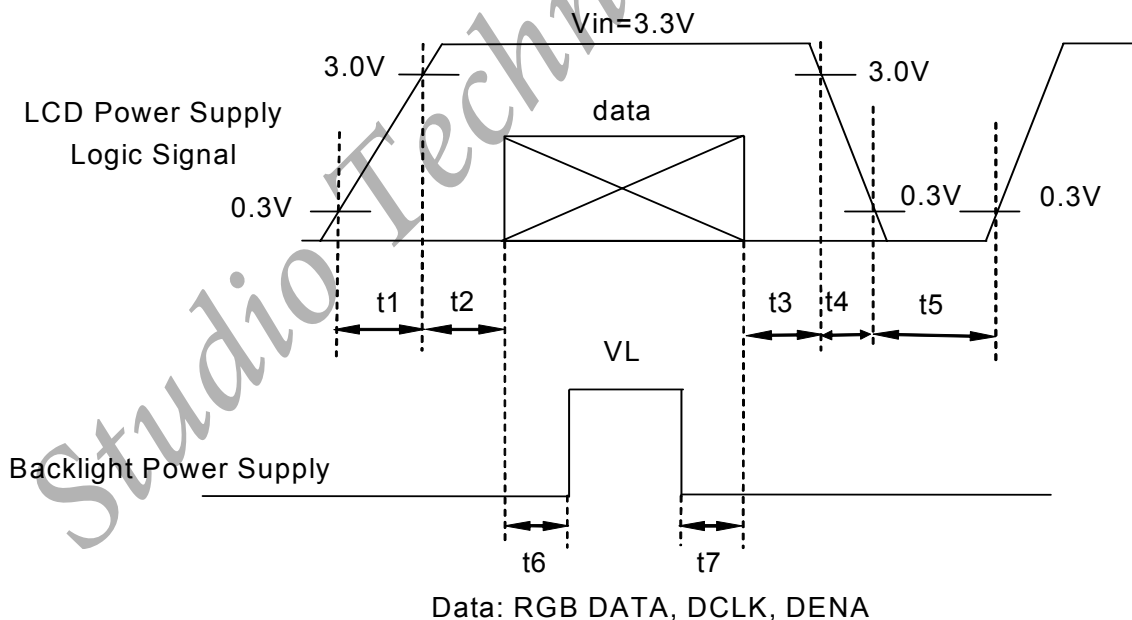
【Note1】 Typical: Under 64 gray pattern @ $V_{CC} = 3.3\text{ V}$ (Frame rate is 60 Hz)
 Maximum: Under black pattern @ $V_{CC} = 3.0\text{ V}$ (Frame rate is 60 Hz)



【Note2】 $V_{LED} = 12\text{ V}$; ADJ high pulse is 100%

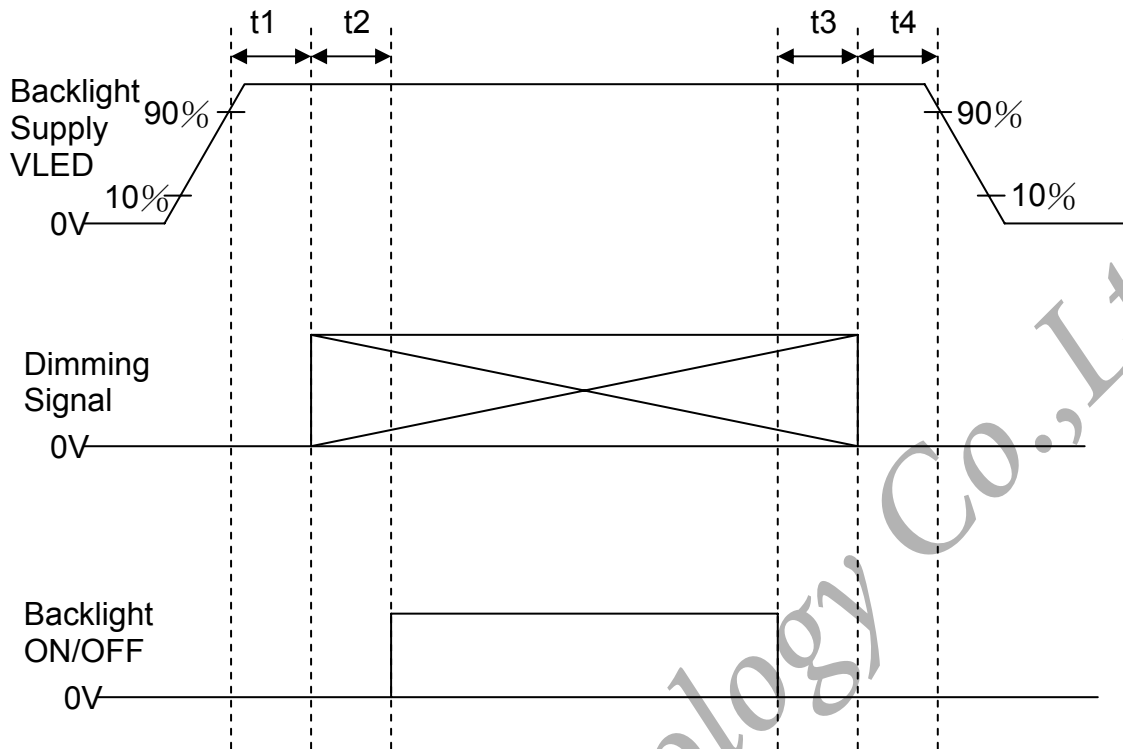
3.3 Power · Signal sequence

- $0.5 < t_1 \leq 10\text{ms}$
- $0 < t_2 \leq 50\text{ms}$
- $0 < t_3 \leq 50\text{ms}$
- $0 < t_4 \leq 10\text{ms}$
- $200\text{ms} \leq t_5$
- $200\text{ms} \leq t_6$
- $200\text{ms} \leq t_7$



3.4 LED ON/OFF Sequence

- 10ms ≤ t1
- 10ms ≤ t2
- 0ms ≤ t3
- 10ms ≤ t4



3.5 Backlight

Ta=25°C

ITEM	SYMBOL	MIN.	TYP.	MAX.	UNIT	NOTE
LED Lift Time	---	10,000			Hour	【Note1】

【Note1】 Definition of life time : I_F=20mA , Luminance < 50% initial value

4. INTERFACE CONNECTION

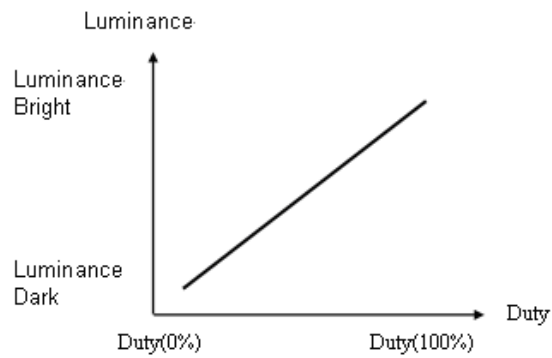
4.1 CN1

Connector type : I-PEX 20455-040E-12

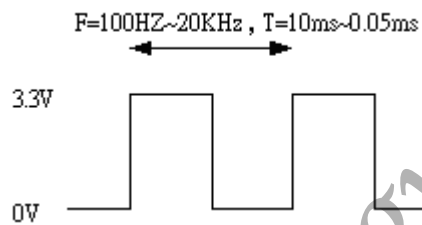
Pin No.	SYMBOL	FUNCTION
1	NC	NC
2	V _{CC}	+3.3V Power
3	V _{CC}	+3.3V Power
4	V _{EDID}	EDID 3.3V Power
5	NC	NC
6	CLK _{EDID}	EDID Clock
7	DATA _{EDID}	EDID Data
8	RXIN0-	LVDS Signal(-)—channel 0
9	RXIN0+	LVDS Signal(+)—channel 0
10	GND	Ground
11	RXIN1-	LVDS Signal(-)—channel 1
12	RXIN1+	LVDS Signal(+)—channel 1
13	GND	Ground
14	RXIN2-	LVDS Signal(-)—channel 2
15	RXIN2+	LVDS Signal(+)—channel 2
16	GND	Ground
17	RXCLKIN-	LVDS Clock Signal(-)
18	RXCLKIN+	LVDS Clock Signal(+)
19	GND	Ground
20	NC	NC
21	NC	NC
22	GND	Ground
23	NC	NC
24	NC	NC
25	GND	Ground
26	NC	NC
27	NC	NC
28	GND	Ground
29	NC	NC
30	NC	NC
31	GND	Ground
32	GND	Ground
33	GND	Ground
34	NC	NC
35	ADJ	Adjust for LED brightness
36	LED-EN	LED Enable pin(+3V Input)
37	NC	NC
38	V _{LED}	Power Supply for LED(V _{LED} =5V-19V)
39	V _{LED}	Power Supply for LED(V _{LED} =5V-19V)
40	V _{LED}	Power Supply for LED(V _{LED} =5V-19V)

【Note】

1) ADJ adjust brightness to control Pin , Pulse duty the bigger the brighter.



2) ADJ signal=0~3.3V, operation frequency : 100HZ~20KHz. ADJ pin should not connect to GND, it should pull-high if not adjust brightness.



3) GND Pin must ground contact , can not be floating.

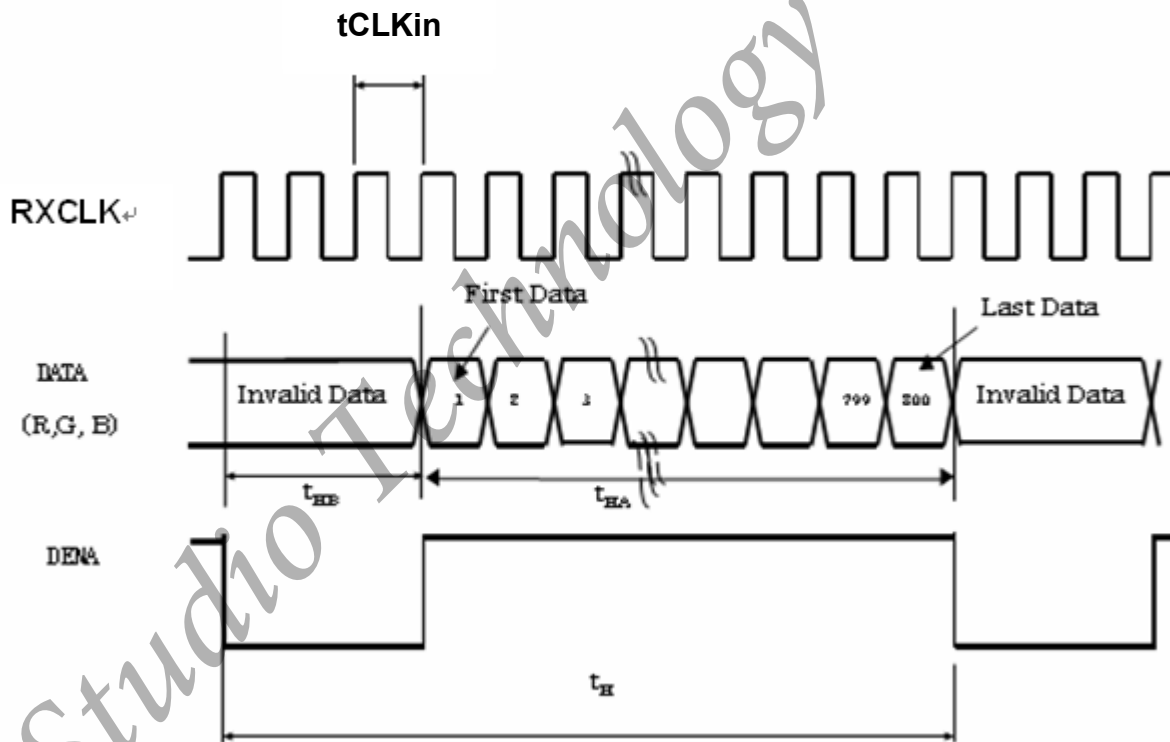
5. INPUT SIGNAL (DE MODE ONLY)

5.1 Timing Specification:

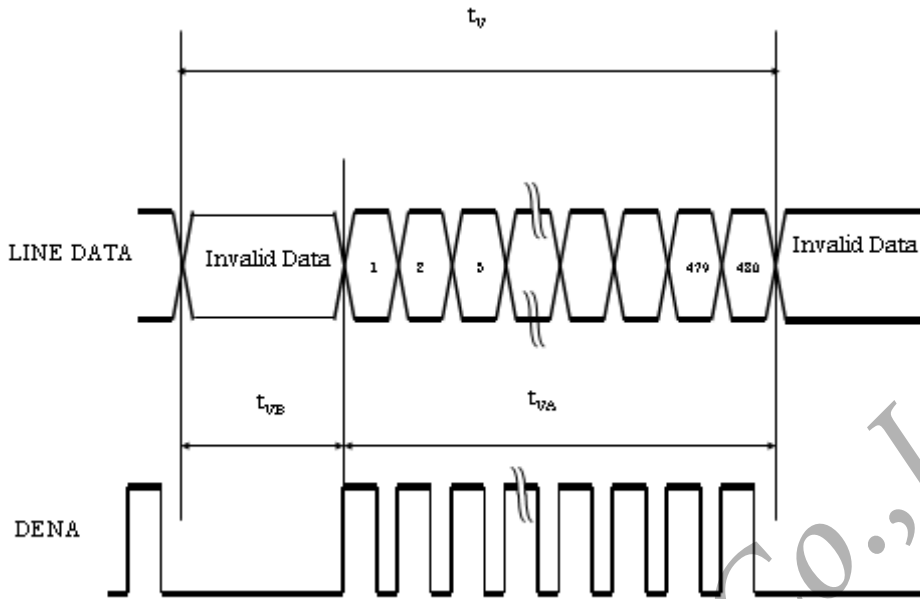
ITEM			SYMBOL	MIN.	TYP.	MAX.	UNIT	
LVDS input signal sequence	CLK Frequency		fCLKin	33	45	60	MHz	
	CLK Period		tCLKin	16.6	22.2	30.3	ns	
LCD input timing	DENA	Horizontal	Horizontal Total Time	t _H	1074	1200	1430	tCLK
			Horizontal Effective Time	t _{HA}	1024			tCLK
			Horizontal Blank Time	t _{HB}	50	176	406	tCLK
		Vertical	Frame	f _V	50	60	65	Hz
	Vertical Total Time		t _V	620	628	646	t _H	
	Vertical Effective Time		t _{VA}	600			t _H	
	Vertical Blank Time		t _{VB}	44	52	70	t _H	

5.2 Timing sequence (Timing chart)

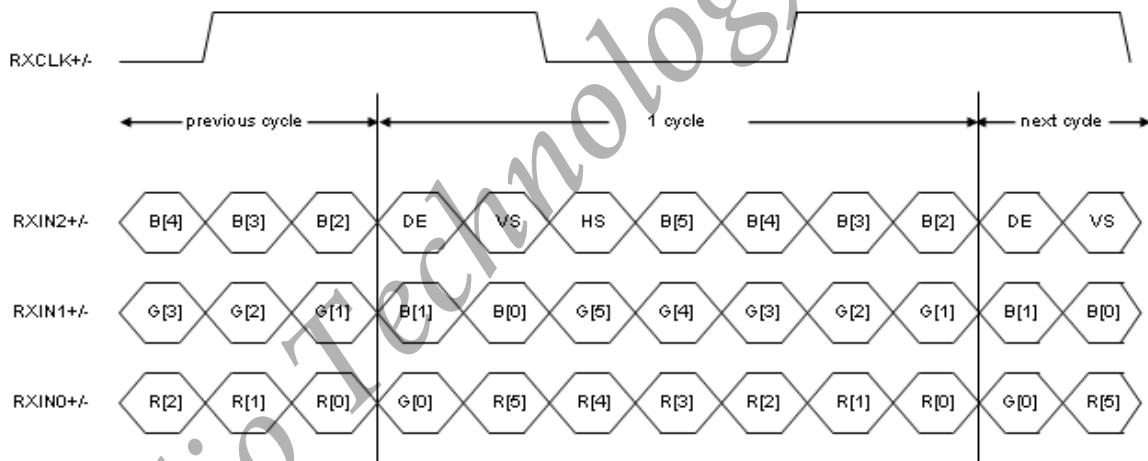
5.2.1 Horizontal Timing Sequence



5.2.2 Vertical Timing Sequence



5.2.3 LVDS Input Data mapping



5.3 Color data assignment

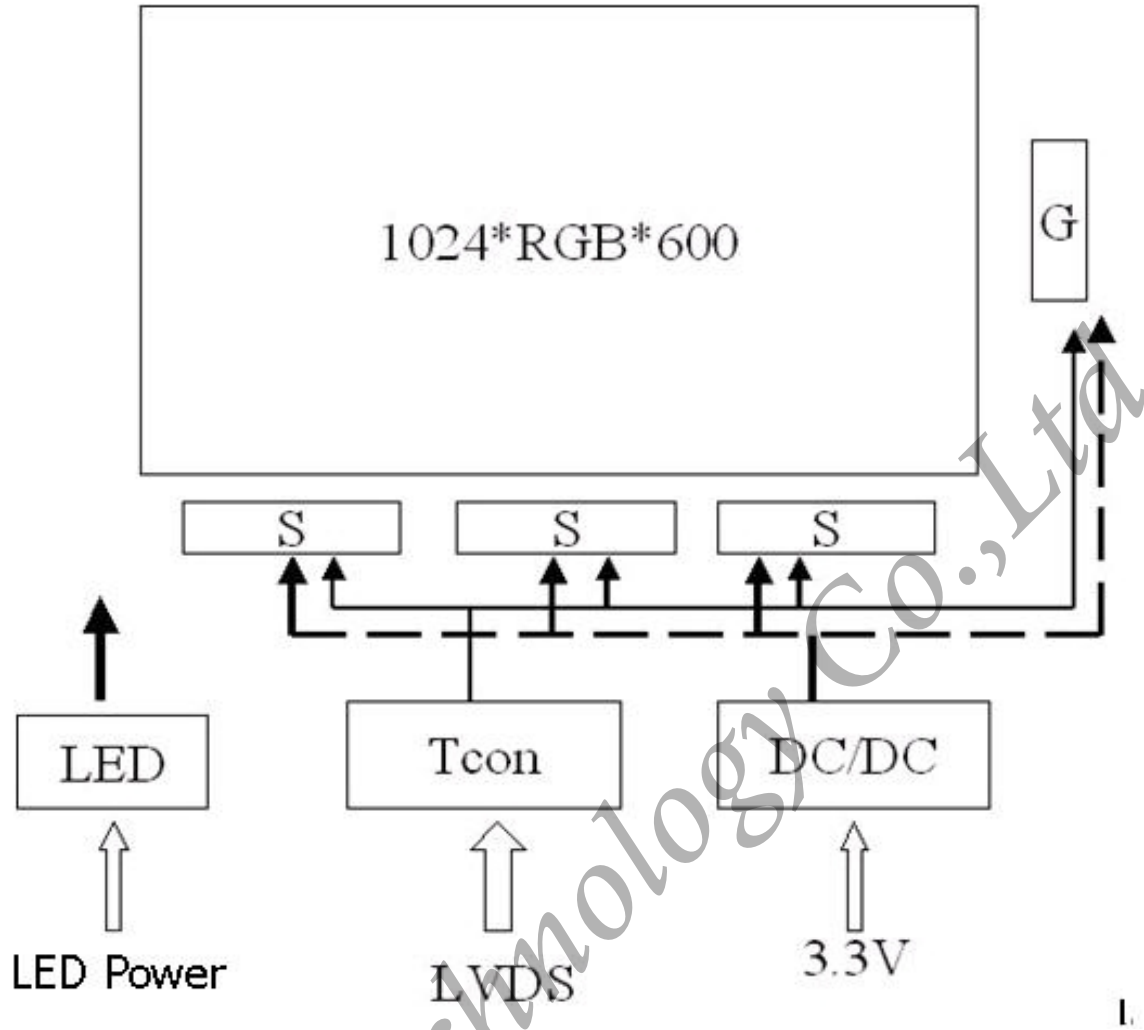
COLOR	INPUT	R DATA						G DATA						B DATA					
		R5	R4	R3	R2	R1	R0	G5	G4	G3	G2	G1	G0	B5	B4	B3	B2	B1	B0
	DATA	MSB					LSB	MSB					LSB	MSB					LSB
BASIC COLOR	BLACK	0	0	0	0	0	0	0	0	0	0	0	0	0	0	0	0	0	0
	RED(63)	1	1	1	1	1	1	0	0	0	0	0	0	0	0	0	0	0	0
	GREEN(63)	0	0	0	0	0	0	1	1	1	1	1	1	0	0	0	0	0	0
	BLUE(63)	0	0	0	0	0	0	0	0	0	0	0	0	1	1	1	1	1	1
	CYAN	0	0	0	0	0	0	1	1	1	1	1	1	1	1	1	1	1	1
	MAGENTA	1	1	1	1	1	1	0	0	0	0	0	0	1	1	1	1	1	1
	YELLOW	1	1	1	1	1	1	1	1	1	1	1	1	0	0	0	0	0	0
	WHITE	1	1	1	1	1	1	1	1	1	1	1	1	1	1	1	1	1	1
RED	RED(0)	0	0	0	0	0	0	0	0	0	0	0	0	0	0	0	0	0	0
	RED(1)	0	0	0	0	0	1	0	0	0	0	0	0	0	0	0	0	0	0
	RED(2)	0	0	0	0	1	0	0	0	0	0	0	0	0	0	0	0	0	0
	RED(62)	1	1	1	1	1	0	0	0	0	0	0	0	0	0	0	0	0	0
	RED(63)	1	1	1	1	1	1	0	0	0	0	0	0	0	0	0	0	0	0
GREEN	GREEN(0)	0	0	0	0	0	0	0	0	0	0	0	0	0	0	0	0	0	0
	GREEN(1)	0	0	0	0	0	0	0	0	0	0	0	1	0	0	0	0	0	0
	GREEN(2)	0	0	0	0	0	0	0	0	0	0	1	0	0	0	0	0	0	0
	GREEN(62)	0	0	0	0	0	0	1	1	1	1	1	0	0	0	0	0	0	0
	GREEN(63)	0	0	0	0	0	0	1	1	1	1	1	1	0	0	0	0	0	0
BLUE	BLUE(0)	0	0	0	0	0	0	0	0	0	0	0	0	0	0	0	0	0	0
	BLUE(1)	0	0	0	0	0	0	0	0	0	0	0	0	0	0	0	0	0	1
	BLUE(2)	0	0	0	0	0	0	0	0	0	0	0	0	0	0	0	0	1	0
	BLUE(62)	0	0	0	0	0	0	0	0	0	0	0	0	1	1	1	1	1	0
	BLUE(63)	0	0	0	0	0	0	0	0	0	0	0	0	1	1	1	1	1	1

【Note1】 Definition of Gray Scale

color(n) : n is series of Gray Scale. The more n value is the bright Gray Scale.

【Note2】 Data:1-High, 0-Low.

6. BLOCK DIAGRAM

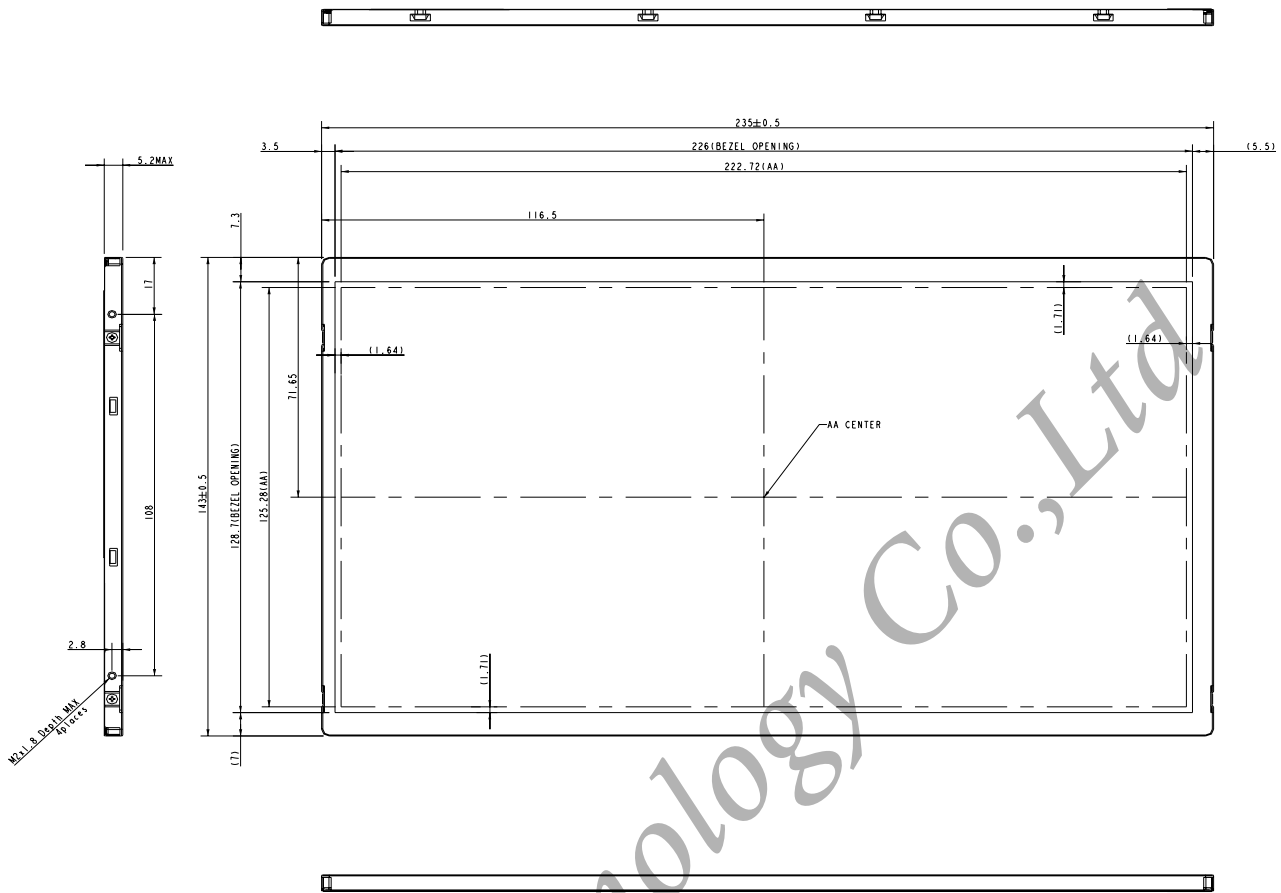


Studio Technology Co., Ltd

7. MECHANICAL DIMENSION

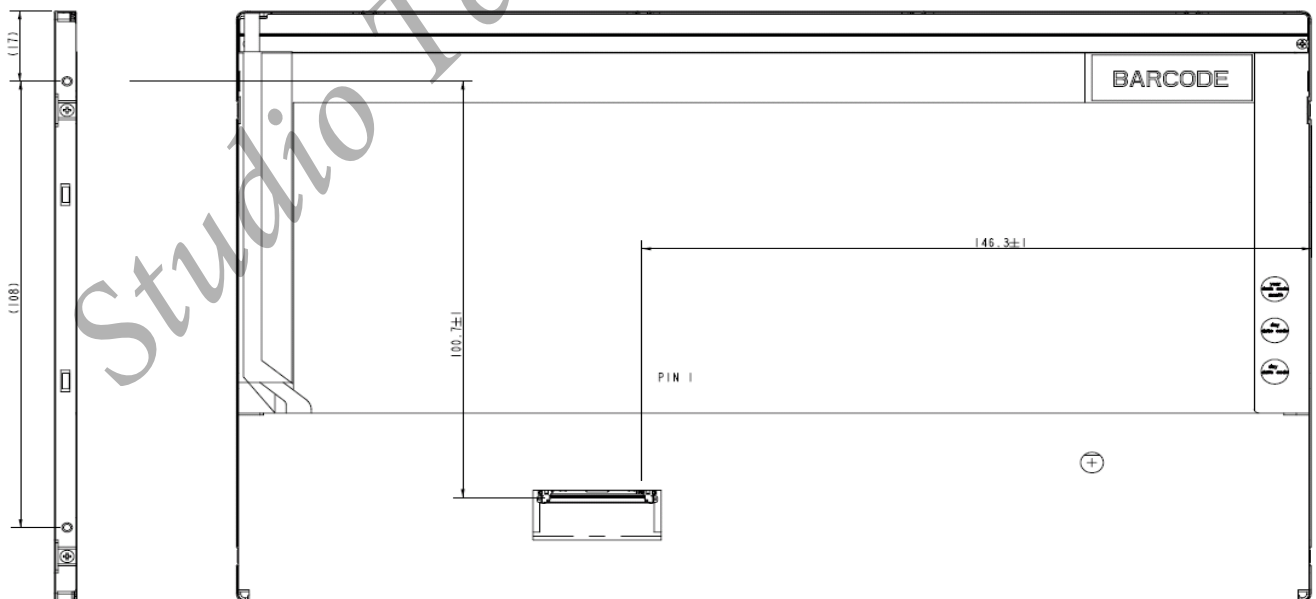
7.1 Front Side

[Unit : mm]



7.2 Rear Side

[Unit : mm]



[Note] : 1.Tolerance is $\pm 0.3\text{mm}$ unless noted
 2.Screw Torque Maximum=2.0kgf-cm

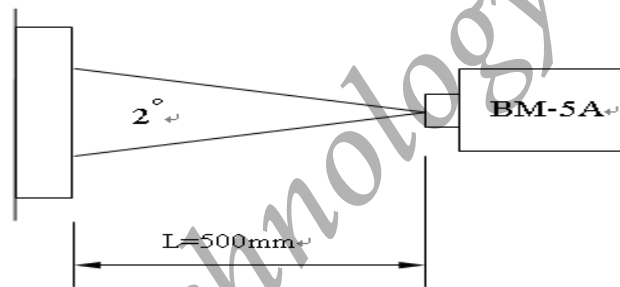
8. OPTICAL CHARACTERISTICS

Ta = 25°C, V_{CC} = 3.3V

ITEM	SYMBOL	CONDITION	MIN.	TYP.	MAX.	UNIT	NOTE	
Constrast Ratio	CR	Point-7	300	400	--	--	*1)*2)*4)	
Luminance*)	Lw	5 Points Avg	170	200	--	cd/m ²	*1)*3)	
Luminance Uniformity	ΔL	5 Points	--	--	1.25	%	*1)*4)	
		13 Points	--	--	1.6		*1)*5)	
Response Time (White - Black)	Tr+ Tf	Point-7	--	25	30	ms	*1)*4)*7)	
NTSC		Point-7	--	45		%	*1)*4)*7)	
Viewing Angle	Horizontal	ψ	CR ≥ 10	80	90	--	°	*1)*2)*7)
	Vertical	θ	Point-7	35	45	--	°	*1)*2)*7)
Color Coordinate	White	Wx	θ = φ = 0° Point-7	0.273	0.313	0.353	--	*1)
		Wy		0.289	0.329	0.369		
	Red	Rx		0.542	0.572	0.602		
		Ry		0.307	0.337	0.367		
	Green	Gx		0.318	0.348	0.378		
		Gy		0.539	0.569	0.599		
	Blue	Bx		0.131	0.161	0.191		
		By		0.086	0.116	0.146		

【Note】

*1) Measure condition : 25°C ± 2°C , 60 ± 10%RH , under 10 Lux in the dark room. BM-5A (TOPCON) , viewing angle 2° , V_{LED} = 12V.(ADJ Duty 100%).



*2) Definition of contrast ratio:

Measure the point-7 as figure 8-1

Contrast Ratio (CR) = (White) Luminance of ON / (Black) Luminance of OFF

*3) Definition of luminance: Measure white luminance on the 5 points as figure 8-1

$$Lw_{AVE} = [Lw(4) + Lw(5) + Lw(7) + Lw(9) + Lw(10)] / 5$$

*4) Definition of Luminance Uniformity: Measure white luminance on the point 4、5、7、9、10 as figure 8-1

$$\Delta L = Lw(\text{Max})_{5\text{points}} / Lw(\text{Min})_{5\text{points}} \times 100\%$$

*5) Definition of Luminance Uniformity : Measure white luminance on the point 1~13 as figure 8-1

$$\Delta L = Lw(\text{Max})_{13\text{points}} / Lw(\text{Min})_{13\text{points}} \times 100\%$$

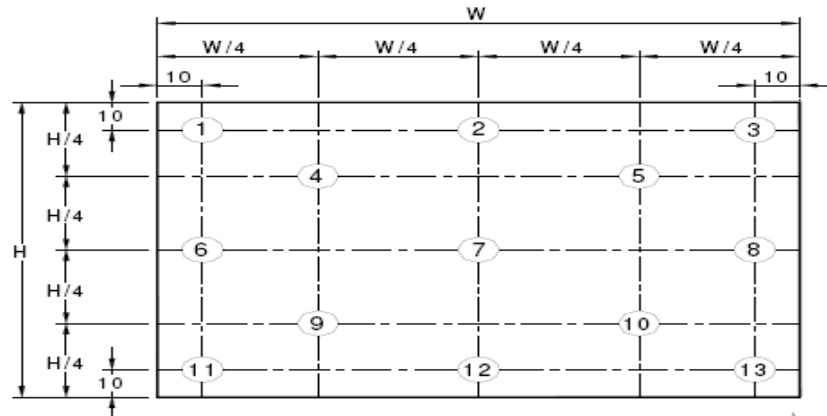


Fig8-1 Measuring point

*6) Definition of Viewing Angle(θ, ψ), refer to Fig8-2 as below : These items are measured by EZ-CONTRAST (ELDIM) in the dark room. (no ambient light).

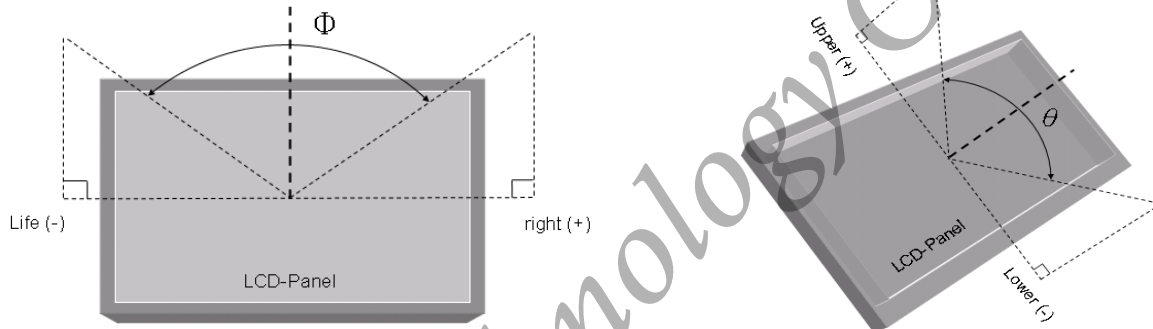


Fig8-2 Definition of Viewing Angle

*7) Definition of Response Time.(White-Black)

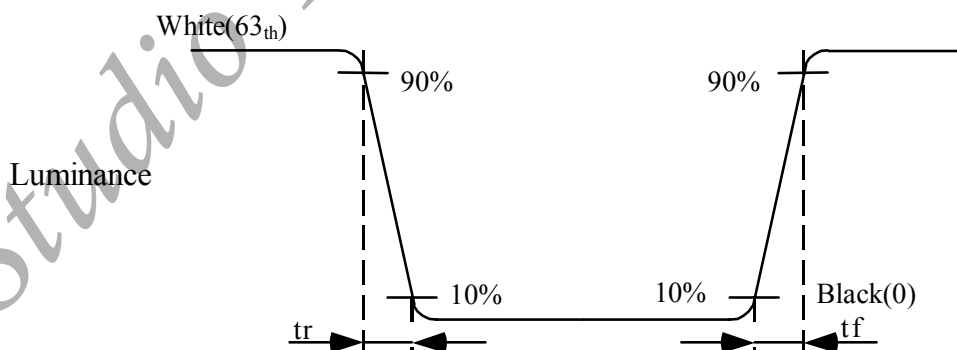


Fig8-3 Definition of Response Time (White-Black)

9. RELIABILITY TEST

9.1. Temperature and humidity

TEST ITEMS	CONDITIONS	NOTE
High Temperature Operation	50°C , 240Hrs	
High Temperature Storage	60°C , 240Hrs	
High Temperature High Humidity Operation	50°C , 90%RH , 240Hrs	No condensation
Low Temperature Operation	0°C , 240Hrs	
Low Temperature Storage	-20°C , 240Hrs	
Thermal Shock	-20°C (0.5Hr) ~ 60°C(0.5Hr) 200 cycles	

9.2. Shock and Vibration:

TEST ITEMS	CONDITIONS
Shock (Non-operation)	<ul style="list-style-type: none"> ● Shock level:980m/s²(equal to 100G) ● Waveform:half sinusoidal wave,6ms. ● Number of shocks:one shock input in each direction of three mutually perpendicular axes for a total of three shock inputs.
Vibration (Non-operation)	<ul style="list-style-type: none"> ● Frequency range:8~33.3Hz ● Stroke:1.3mm ● Vibration:sinusoidal wave,perpendicularaxis(both x, z axis:2Hrs, y axis 4Hrs). ● Sweep:2.9G,33.3Hz-400Hz ● Cycle:15min

9.3. ESD Test

ITEM	CONDITION	NOTE
ESD	150pF , 330Ω , ±8KV&±15KV air test	*1)
	200pF , 0Ω , ±250V contact test	*2)

NOTE:

*1) LCD glass and metal bezel

*2) IF connector pins

9.4 Judgment Standard

The Judgment of the above test should be made as follow:

Pass: Normal display image with no obvious non-uniformity and no line defect.Partial transformation of the module parts should be ignored.

Fail: No display image,obvious non-uniform,or line defect.