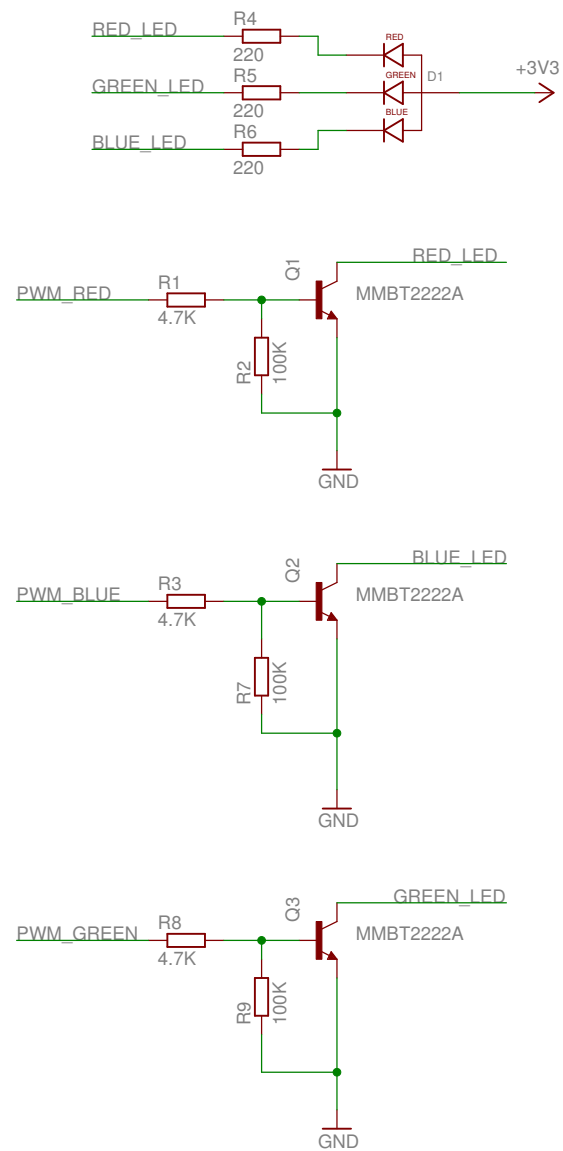
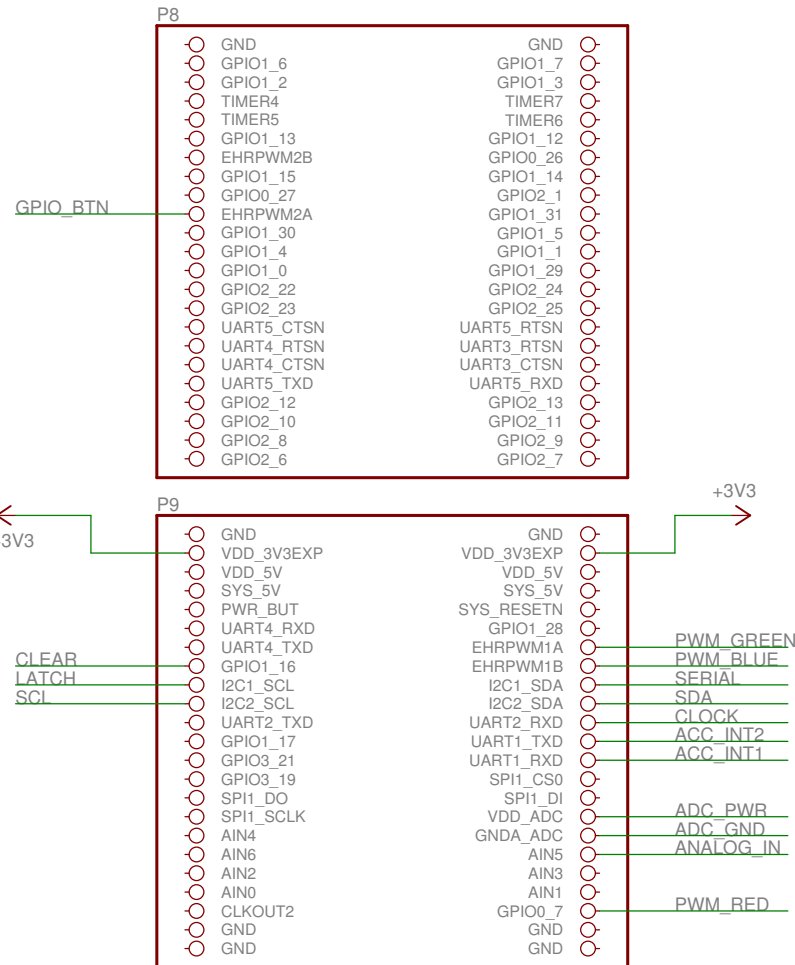
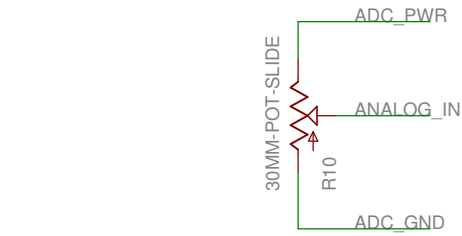


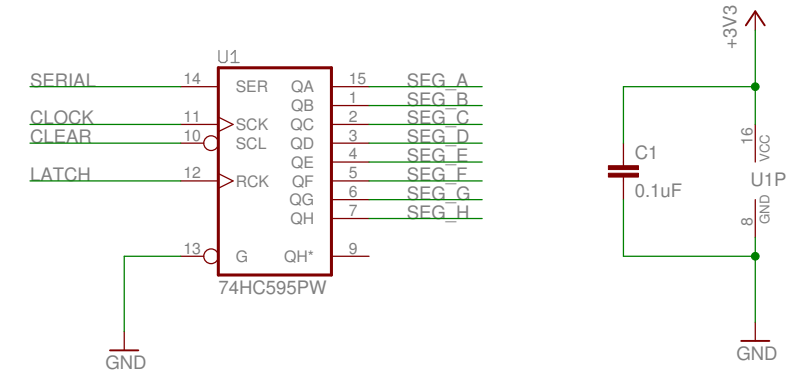
PWM RGB LED



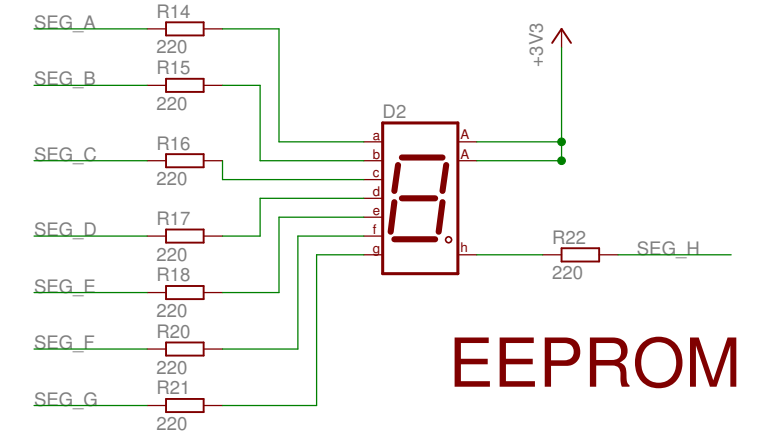
Slide Resistor/Analog In



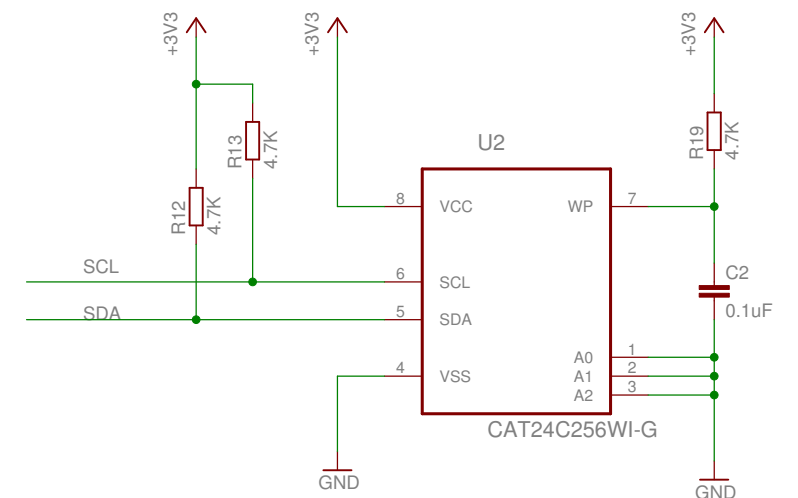
Shift Register



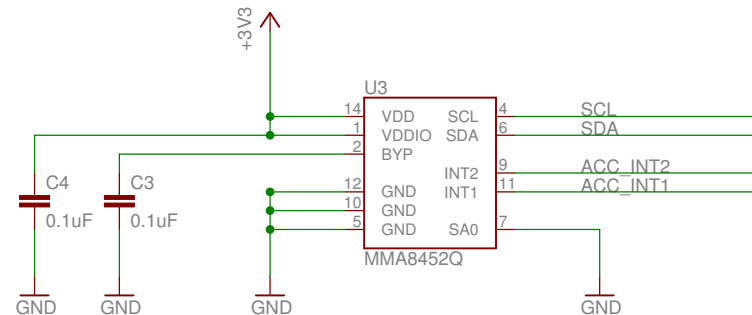
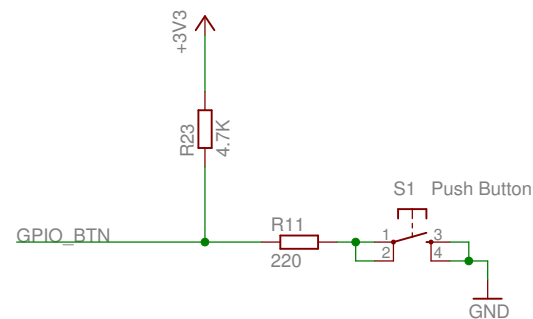
LED Display



EEPROM



GPIO Button



CIRCUITCO.COM
BEAGLEBOARDTOYS.COM

TITLE: bacon_cape_rev_7

Document Number:

REV:

Date: 7/19/13 2:02 PM

Sheet: 1/1